

Operational Manual

Spectrophotometer

Model: SP-880



Metertech Inc.

Version 1.07



LAB Online Exhibition



Metertech Inc. provides this publication “as is” without warranty of any kind, either express or implied, including, but not limited to the implied warranties of merchantability or fitness for a particular purpose.

All rights are reserved, including those to reproduce this publication or parts thereof in any form without permission in writing from Metertech Inc.

Information in this publication is subject to change without notice and does not represent a commitment on the part of the vender.

Any errors or omissions which may have occurred in this publication despite the utmost care taken in its production will be corrected as soon as possible, but not necessarily immediately upon detection.

Copyright© Metertech Inc. 2005

Metertech Inc. • 63-2, ChengGong Rd., Sec. 1, NanGang, Taipei, Taiwan, ROC

E-Mail: info@metertech-inc.com • Web Site: www.metertech-inc.com

Tel: 886-2-2783-2854 • Fax: 886-2-2783-1764

CONTENTS

Introduction	3
Description	3
Components	3
Keyboard and display layout	4
Rear panel layout	5
Specifications	6
Installation	7
Standard equipment	7
Environmental and electrical conditions	7
Installation	8
Operation	10
Powering up the equipment	10
Absorbance and Transmittance measurements	10
Concentration measurement with a factor	11
Concentration measurement with a standard	12
System functions	13
Data saving and retrieve	15
Printer	15
Analog output	15
Maintenance	16
Routine care	16
Replace the lamp	16
Messages	18
Replacement parts	18
SP880 Grabber Installation and Operation	19

INTRODUCTION

Description

The model 880 visible spectrophotometer is a digital microprocessor controlled instrument, providing photometric absorbance, transmittance and concentration measurements with the wavelength range of 330 to 1100 nm. The spectrophotometer has the following unique features:

1. Two-line, 16-large character LCD display
2. Motorized optical filter wheel and grating
3. Multi-use sample compartment for square cuvettes, 0.5" & 1" round tubes and 50 mm longpath cells
4. Printer and RS232 interface
5. Base-line data for entire wavelength range
6. 100 sets of data storage
7. PC software for machine data download and real-time data reading

Components

- | | |
|----------------------------|---------------------------------|
| 1. LCD display | 4. Model name and company brand |
| 2. Sample compartment door | 5. AC adapter |
| 3. Keyboard | 6. Lamp compartment door |

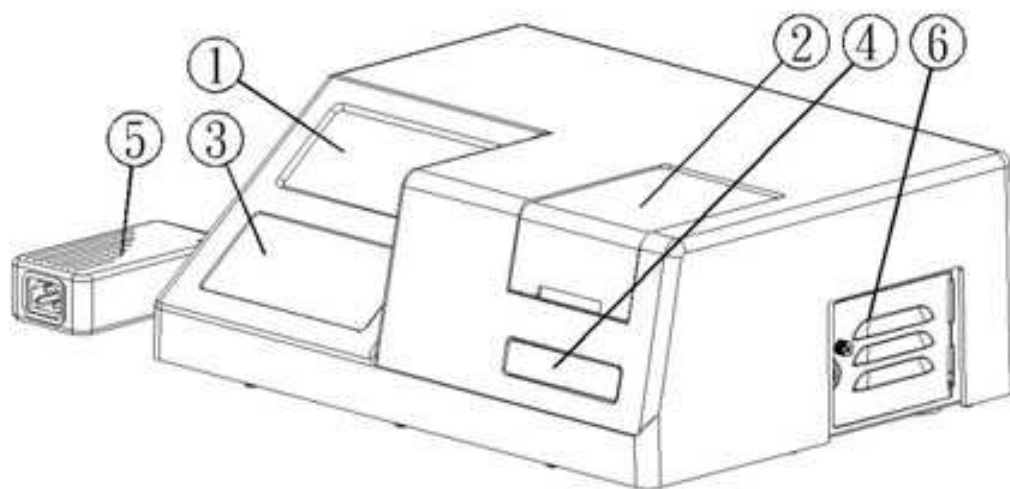


Figure 1: Components of SP880 spectrophotometer

Keyboard and display layout

1. **A/T/C** button: Switch among absorbance, %transmittance and concentration modes
2. λ button: For entering desired wavelength
3. Numerical buttons: For input the wavelength, factor, and concentration
4. **ENTER** button: To confirm selections or entries of fields or parameters, or to start measuring process according to current setting
5. **ESC** button: To quit from the current process, or to quit the current screen and return to previous screen
6. **BLANK** button: Set the instrument to 100% transmittance, or zero absorbance or zero concentration
7. **FUNCTION** button: Selecting and performing supporting functions shown in the screen
8. **PRINT** button: Print out the current reading on screen
9. **SAVE** button: Save the current reading in memory
10. **VIEW** button: Review the stored data sequentially
11. Display panel: 16 large characters by 2 lines LCD



Figure 2: Keyboard and display layout

Rear panel layout

1. DC fan
2. Power switch
3. DC voltage input
4. RS232 port
5. Printer port
6. Analog output(option)

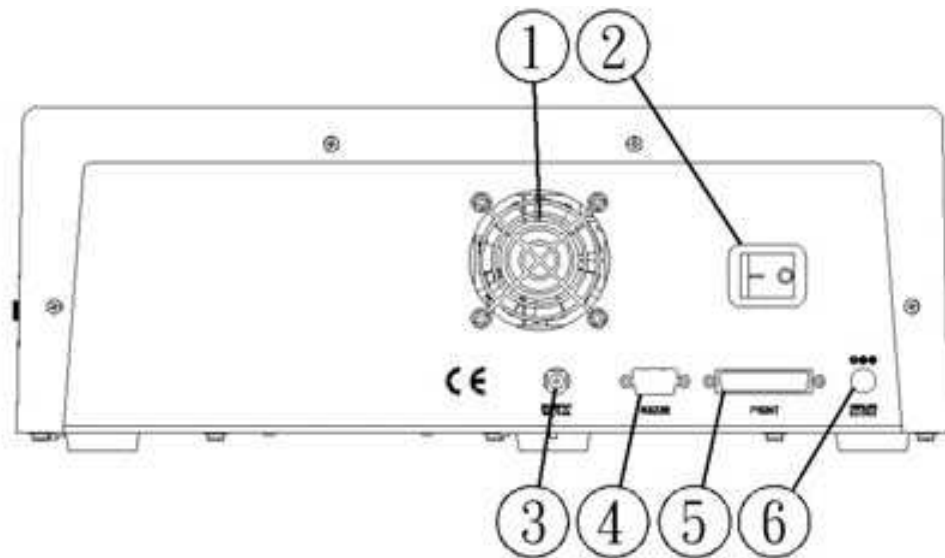


Figure 3: Rear panel layout

Specifications

Wavelength	330 ~ 1100nm
Bandwidth pass	2nm
Wavelength accuracy	+/- 1nm
Wavelength repeatability	+/- 0.35nm
Photometric range	-0.300 ~ 3.500Abs
Measurement mode	A / %T / C
Factor	0.1 ~ 9,999.9
Concentration	0.000 ~ 99,999.99
Photometric accuracy	1% or 0.003A(from 0.000 to 2.500A), whichever is greater
Stability	< 0.003Abs/hr at 500nm after one hour warm-up
Baseline flatness	+/- 0.005 Abs(at 400 ~ 1100nm)
Stray light	< 0.1% at 340nm by ASTM method
Light source	12V halogen lamp
Detector	Si photodiode
Wavelength scanning speed	4500nm/min
Cuvettes	10mm square cuvette, 10 ~ 13mm round tube, 16mm round tube(option), 50mm rectangular cell, and 1 inch round tube
Light beam height	8.5mm at measurement position
Data storage	100 sets
Analog output	0.000 ~ 4.000V(option)
Display	16 x 2 large characters LCD
Interface	RS232 and parallel printer
Function	Initial wavelength, lamp tuning, system validation, resolution
PC software	Data collection from saved memory; real time data display and storage
Power	100 ~ 240V at 50/60Hz
Dimension	400(W) x 300(D) x 145(H) mm
Weight	7.5 kgs
Ambient temp/humidity	room temperature 15 ~ 35°C, humidity < 80%

Specifications subject to change without notice

INSTALLATION

Standard equipment

The package contains items listed below. Unpack the carton and inspect carefully. If any part is damaged or missing, contact your dealer immediately.

<u>Qty</u>	<u>Description</u>
1	SP880 spectrophotometer
1	AC adapter
1	Power cord
1	Operator's manual
5	10mm plastic square cuvette
1	Dust cover
1	50mm cuvette bracket
1	1 inch tube bracket
1	RS232 cable
1	SP880_grabber CD

Environmental and electrical conditions

The instrument has been designed to operate and meet the specifications on previous pages under the electrical and environmental requirements listed below.

Line voltage

100-240Vac, 50-60 Hz

Environment conditions

Ambient temperature from 15°C to 35°C and maintained at $\pm 2^\circ\text{C}$; relative humidity from 20% to 80% and maintained at $\pm 5\%$.

Installation

1. Place the spectrophotometer on a solid and level surface in a dry, clean environment.
2. Leave an open space at least 50mm distance from rear panel and side walls to guarantee air flow around the instrument.
3. Connect the female end of power cord into the inlet of AC adapter, and then the outlet plug of AC adapter into the DC input hole on the rear panel of instrument.
4. Plug the power cord into a grounded wall outlet with the appropriate voltage.
5. Connect the Centronics parallel printer to the instrument at the print port.
6. Turn on the power switch and allow instrument to warm up at least 30 minutes for electronic and thermal stabilization.
7. The standard cell holder is adaptable for 10 mm square cuvette and 1/2" round tube. For 50 mm long-path cell measurement, please unscrewing two white knobs (#1) and removing metal bracket #2 inside the sample compartment as shown in figure 4a, then locate bracket #3 and tighten two knobs again (figure 4b).
8. For 1" round tube measurement, orient bracket #4 and tighten two knobs (figure 4c).

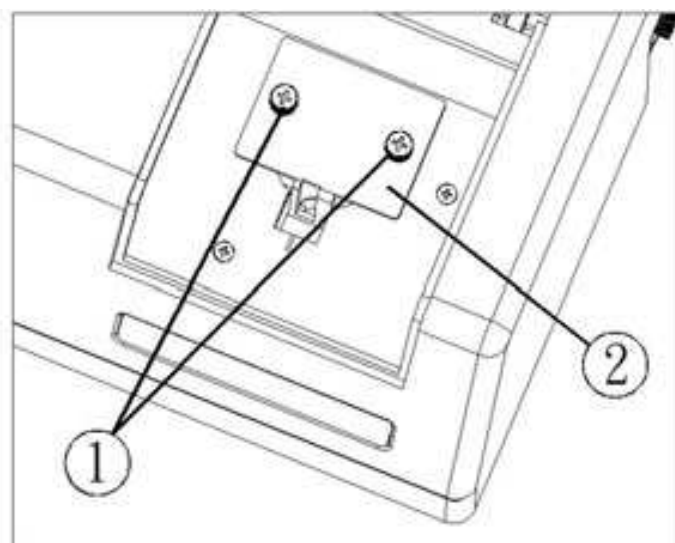


Figure 4a: Standard cell holder for 10 ~ 13 mm cuvettes

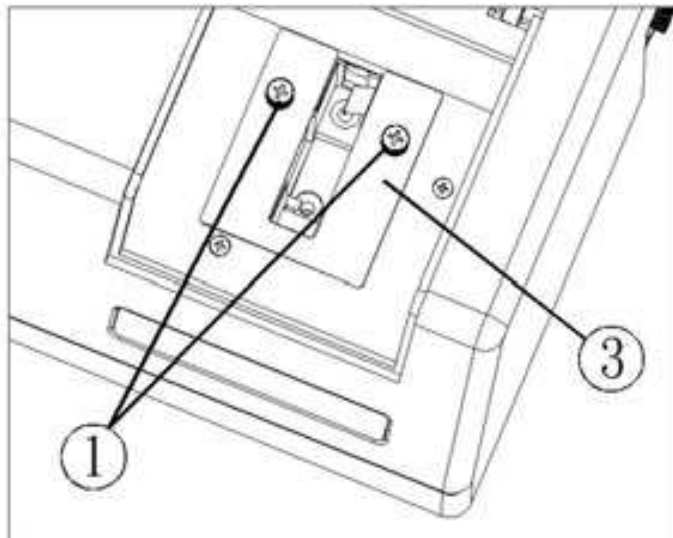


Figure 4b: 50 mm rectangular cell holder

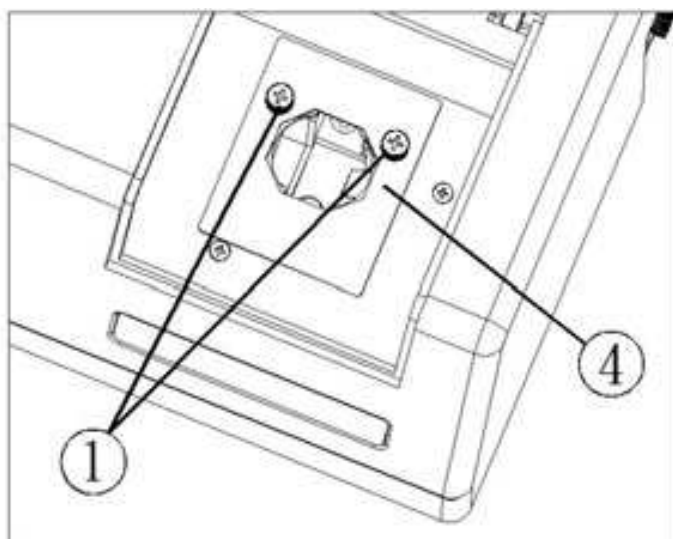


Figure 4c: 1" cylindrical cell holder

OPERATION

Powering up the instrument

1. Empty the cell holder and close the cell compartment lid.
2. Power on the 880 spectrophotometer, LCD shows "-- SP880 --, Metertech Inc." for 2 seconds.
3. Then "Initialize, Zeroing..." for monochromator and filter wheel initialization. It takes less than one minute to finish optical zero-search.
4. Then start base-line scanning for another minute, and finally reach the default wavelength 500nm with unit "ABS" for the first time operation.
5. The LCD shows "WL : 500 nm, READ: X.XXX A".
6. Allow the instrument to warm up for 30 minutes before using it.

Note:

- **Error-1** message with beeping may show up, if there is sample in cell holder or lid is opened during initialization. Please power off machine, correct the mistake, and power on again.

Absorbance and Transmittance measurements

1. Press "A/T/C" to select the absorbance or transmittance mode.
2. press "λ" then press numerical key (0-9), and then "ENTER". The machine will go to the assigned wavelength, and use base-line data to calculate ABS or %T and display it on LCD. During keying in number, press "ESC" if you want to change the current value.
3. Insert blank solution into the cell holder and close the sample compartment lid.
4. Press "BLANK". LCD shows "Blank..." on lower screen and then "100.0 %T" or "0.000A".
5. Remove blank solution and insert sample solution in the cell holder. The sample reading is real-time showing on the display.

Concentration measurement with a factor

2. Press “**A/T/C**” to select the concentration mode.
3. At conc&factor mode, the display begins with “Conc @ Factor, ->ENTER”.
4. Press “**ENTER**” into this mode and display shows concentration unit and its reading.
5. Press “**ESC**” and display shows current factor “F: XXX” with blinking at the first digit. Users can enter value (0-9999.9), and then “**ENTER**” to get concentration reading.
6. Insert blank solution into the cell holder and close the sample compartment lid.
7. Press “**BLANK**” to set “0.000C”.
8. Remove blank solution and insert sample solution in the cell holder. The sample reading appears on the display.
9. Users can press “**A/T/C**” to other mode, or press “**ESC**” and back to step 4 to enter new factor, or step 6 to “**BLANK**” again.

Note:

- If wavelength needs changing in concentration mode, please go to A/%T mode first to key in the number and “**ENTER**”. Then follow the above procedure.
- While power off the instrument, the current keyed-in factor will be saved in memory and used as initial value for following powering on.

Concentration measurement with a standard

1. Press “**A/T/C**” to select the concentration mode.
2. At conc&standard mode, the display begins with “Conc @ Stand, ->ENTER”.
3. Press “**ENTER**” and LCD shows “WL: XXX nm, C: 0.000” with blinking at the first digit.
4. Key in standard concentration here (0-99999.9). Then “**ENTER**” to show “C: XXXX, Stand BLANK”.
5. Insert blank solution into the cell holder and close the sample compartment lid. Then press “**BLANK**” to get “ABS: 0.000, Put Stand->ENTER”.
6. Put standard solution into cell holder and press “**ENTER**”. LCD shows “FTR: XXX.X, Sample BLANK” with calculated standard factor shown on the screen.
7. Insert blank solution into the cell holder and press “**BLANK**” again to get “WL: XXX nm, C: 0.000”.
8. Put in sample solution to get its live concentration reading.
9. Users can press “**ESC**” and back to step 3 to repeat the whole process, or return to step 7 by “**BLANK**”, or press “**A/T/C**” to other measurement mode.

Note:

- If wavelength needs changing in concentration mode, please go to A/%T mode first to key in the number and “**ENTER**”. Then follow the above procedure.
- While power off the instrument, the calculated factor will be saved in memory and used as initial value at factor mode for following powering on.

System Functions

There are 11 options available in system functions. Press “**FUNC**” and display “1: Initial WL”. Press “**ESC**” repeatedly will display each option sequentially as explained below.

1. Initial WL

Press “**ENTER**” and displays “nm: 500 A” with blinking at first digit. The initial wavelength and reading unit after power up are set up here. Key in desired wavelength, and then repeatedly “**ENTER**” to get “A” or “%T”, and then “**ESC**” to save these parameters. Press “**ESC**” again to the next option.

2. Resolution

Press “**ENTER**” and displays “<Stand Resol>, ->ENTER”. The reading resolution is set up here. Press “**ENTER**” repeatedly to switch between <High Resol> and <Stand Resol>. Press “**ESC**” twice to the next option.

3. Printer

Press “**ENTER**” and shows “3: Printer OFF, 0: OFF 1: ON”. Users can enforce “**PRINT**” button be OFF/ ON by entering “0/1”. If the printer is not connected to parallel port, press “1” will show “Printer Error” and results in “Printer OFF”. Press “**ESC**” twice to the next option.

4. Conc Unit

Press “**ENTER**” and get “[0] C” with blinking at the unit number. Keep on “**ENTER**” to increase number with different unit. When the current unit is desired, press its unit number. The blinking disappears and this unit will be picked and memorized. This unit will apply to concentration measurement modes. Press “**ESC**” twice to the next option.

5. Data Erase

Press “**ENTER**” and shows “->0: No 1: Yes”. The saved data are all cleared here by entering “1”. The display shows “Erasing...”, and please wait several seconds to finish the job by showing “Done”. Press “**ESC**” twice to the next option.

6. Data Print

Press “**ENTER**” and shows “->0: No 1: Yes”. Saved measured data up to 100 sets can be all printed out by pressing “**1**” (printer must be set “**ON**” at option 3) or stopped any time by pressing “**ESC**”. Press “**ESC**” twice to the next option.

7. Data to PC

Saved measured data are transferred to PC through RS232 port, please refer to “SP880 grabber Installation and Operation” instructions at the rear section of this manual for further details. Press “**ESC**” to the next option.

8. Validation

Empty cell holder and press “**ENTER**”. LCD shows “[1]Bandwidth, [2]WL Accuracy”. To measure optical bandwidth, press “**1**”. The machine goes to zero position and takes measurement. The result shows “Measure BW, BW: X.XX nm”. Press “**2**” and start to measure wavelength accuracy at 361nm and 536 nm by a built-in HY-1 filter. The result shown on display is “361nm 536nm, X.XXnm X.XXnm”. X.XX is the difference between actual wavelength and ideal wavelength. Press “**ESC**” twice to the next option.

9. Lamp Tuning

Please see the explanation starting from step 7 of section “Replacement the lamp”. Press “**ESC**” to the next option.

A. Version X.X

The software version of this machine is shown here. Press “**ESC**” to return to the first option.

Note:

- All parameters set or data viewed in each option can be printed out by pressing “**PRINT**”.
- To return to measurement mode, press “**FUNC**” again.

Data saving and retrieve

1. The current reading, wavelength and measuring unit at any measuring mode can be saved permanently in memory by pressing “**SAVE**” to display “[00] Name: M “.
2. Then enter name MXX at blinking position by numerical value from 00 to 99, and press “**ENTER**”.
3. There are totally 100 sets of data can be stored and increase from sequence number 00. If data number is larger than 99, it is restarted from 00 and update last saved data.
4. All saved data can also be checked by “**VIEW**” key. The latest stored data shows up first. These data are displayed sequentially at one-second interval.
5. Users can hold the current data by pressing down “**VIEW**”, or “**ESC**” to quit during viewing all data.

Printer

User can print out any data with wavelength shown on LCD at any measuring mode by pressing “**PRINT**”. In concentration modes, it also prints factor value. The printer type available includes Epson dot metrics, and Epson/ Hp ink jet.

Analog output

In measuring mode, the dc analog output voltage at the rear panel of machine offers value the same as LCD reading for A and T. It ranges from 0 to 4V with precision at 0.001V.

MAINTENANCE

Routine care

Very little maintenance is required to keep the instrument in good working condition. The interior should be kept as dust free as possible and the sample compartment cleaned regularly; wipe off spilt chemicals immediately.

WARNING: Do not remove the cover of the instrument.

CAUTION: Do not allow moisture to leak into the instrument.

The exterior of the instrument can be cleaned periodically as follows:

- ◆ SWITCH OFF first the instrument and disconnect from the mains supply.
- ◆ Using a lint free cloth dampened with a weak solution of detergent and water, wipe the exterior surface of the instrument as necessary.
- ◆ Wipe over with a soft cloth dampened with clean water.
- ◆ Dry the surface with another soft cloth.

Replace the lamp

CAUTION: Switch off and disconnect the instrument from the mains supply and allow the lamp to cool down at least 10 minutes before proceeding.

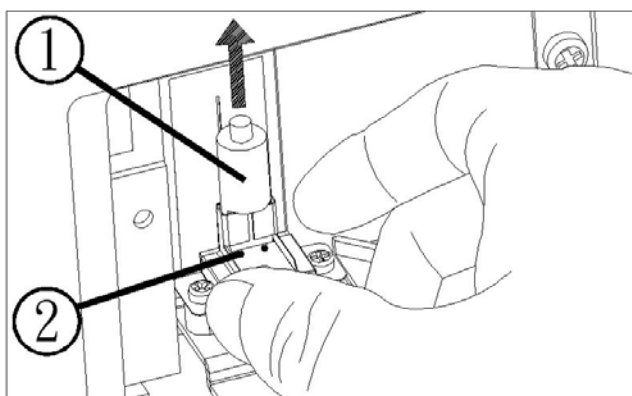


Figure 5a: Lamp change

WARNING: Do not touch lamps with bare hands. Use glove or cloth to prevent staining of the bulb.

WARNING: Pay extreme attention not to touch parts other than those as instructed.

1. Turn off and unplug the instrument.
2. Allow the lamp to cool for at least 10 minutes.
3. Open the lamp door on the right side of instrument by loosening the knob in counterclockwise direction.
4. Pull the old lamp (#1) straight up to remove it from socket as shown in figure 5a above.
5. Hold a new lamp with tag at flat portion facing to user, then remove the tag. Align the two legs of new lamp with the two holes (#2) in the socket, and press the lamp securely into the socket.
6. Carefully wipe off any fingerprints on the lamp with a soft tissue.

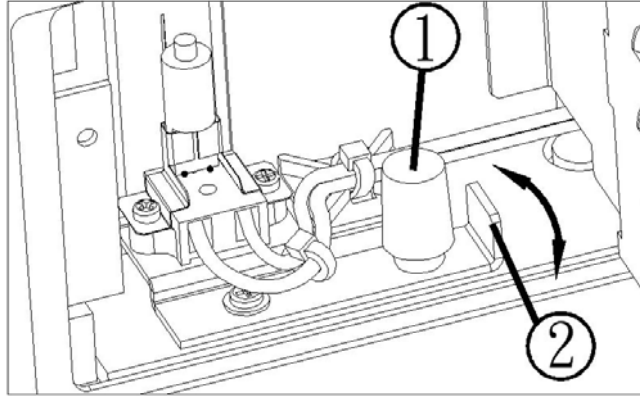


Figure 5b: Lamp tuning

7. Power up the instrument by following previous instructions.
8. Empty cell holder, press "**FUNC**", then press "**ESC**" nine times to get "A: Lamp Tuning" shown on LCD.
9. Press "**ENTER**" and go to zero position by displaying "Zeroing...".
10. LCD then shows "Adjust Lamp, READ: XXX".

11. In the lamp house (figure 5b), loosen the white thumbscrew (#1) and adjust the vertical flange (#2) close to it forward/backward. The displayed number XXX will vary in accordance with flange movement. Find the largest number and tighten the thumbscrew.
12. Close the lamp door with knob tightened. Power off and Power on again the instrument to complete lamp alignment.

Messages

This section lists messages for errors or abnormal conditions during operation.

Error-0 Grating photo-interrupter or grating motor has malfunctioned, call for service.

Error-1 Light source is not functioning or too weak/ bright, change with proper lamp supplied by original manufacturer.

Error-2 Grating motion exceeds lower limit, call for service.

Error-3 Grating motion exceeds upper limit, call for service.

Beep Beeping while blanking with lid open or blanking solution absorbance greater than 1.5A, or while sample reading with absorbance greater than 4.0A. The beep will continue until the condition is resolved.

Replacement parts

<u>Part#</u>	<u>Description</u>
0960870100	Tungsten-halogen lamps, package of 2
870207A	16mm round tube holder
A00001-1	10mm plastic square cuvette, package of 100
A00003	1/2" glass round tube, package of 6
0770870100	AC adapter for SP880 spectrophotometer
0570870101	Analog output cable
OP880	SP880 spectrophotometer operational manual

SP880 GRABBER INSTALLATION AND OPERATION

1. PC system requirement

- CPU model need be newer than Pentium-100, equipped with CD driver.
- Microsoft Windows XP/98SE.
- Video card capable supporting 800X600 pixels and 16 bit (Hi color) color resolution at least.
- Mouse, keypad, one serial communication port for RS232 and one 9 pin connector.

2. SP880 grabber installation

- Put the SP880_grabber CD into a CD driver.
- Select the installation program “Setup.exe” under the “SP880_grabber” directory, and make execution.
- Please follow instructions to complete the installation work. A program “SP880_grabber.exe” will be generated under C:\program files\SP880_grabber directory.

3. Online operation

- Make sure 9-pin connector is plugged on the RS-232 output of SP880 and COM2 of PC.
- Power up PC and SP880, and then go to Program Files of Windows PC, find “SP880_grabber” file under “Metertech” and click it. The SP880_grabber is executed and a new window comes up with default nm=500 & A=0.000 displayed.
- Click “**Setting**” on the menu bar and click “**Comport port**” under it, and a dialog box “COM Port Setting” will show up. The default setting is COM2 and user can select whichever is suitable for real environments. After selecting the proper port, press “**Port Open**” button to proceed. If COM port is successfully communicated and SP880 machine is ready in measuring mode (A/T/C), the live reading on machine LCD will also be displayed on PC screen.

4. Real-time data reading and saving

- Press icon “**Capture Data**”, current data is recorded in table below. Press “**Clear Data**” to erase table content. The tabulated data can be saved in internal file by “**Save Data**” and can also be read by “**Load Data**”. Tabulated data can be printed out by “**Print Data**”, or formatted as external files by “**Export Data to File**”. These files can be processed under Microsoft Excel/ Word environments.

5. SP880 data download

- Click “**Manipulate**” on the menu bar, and then click “**Read Memory Data**” under it. Now press “**FUNC**” on SP880, then press “**ESC**” repeatedly until seeing “8: Data->PC” on LCD. Press “**ENTER**” and “**1**”, LCD shows “Sending...”. Click “**Get Data**” on PC and stored data in SP880 are transferred to PC. All the data are decreasingly numbered. The newest measured data is located at the top of data column. After data transfer is completed, LCD shows “Done” at SP880. The downloaded file can be saved, cleared, printed and exported similar to “Read Real-Time Data” mode.